

Installation Manual - Autolock Lever Type -



Thank you for selecting a Nagasawa product.

Please read this manual to ensure correct installation of the product.

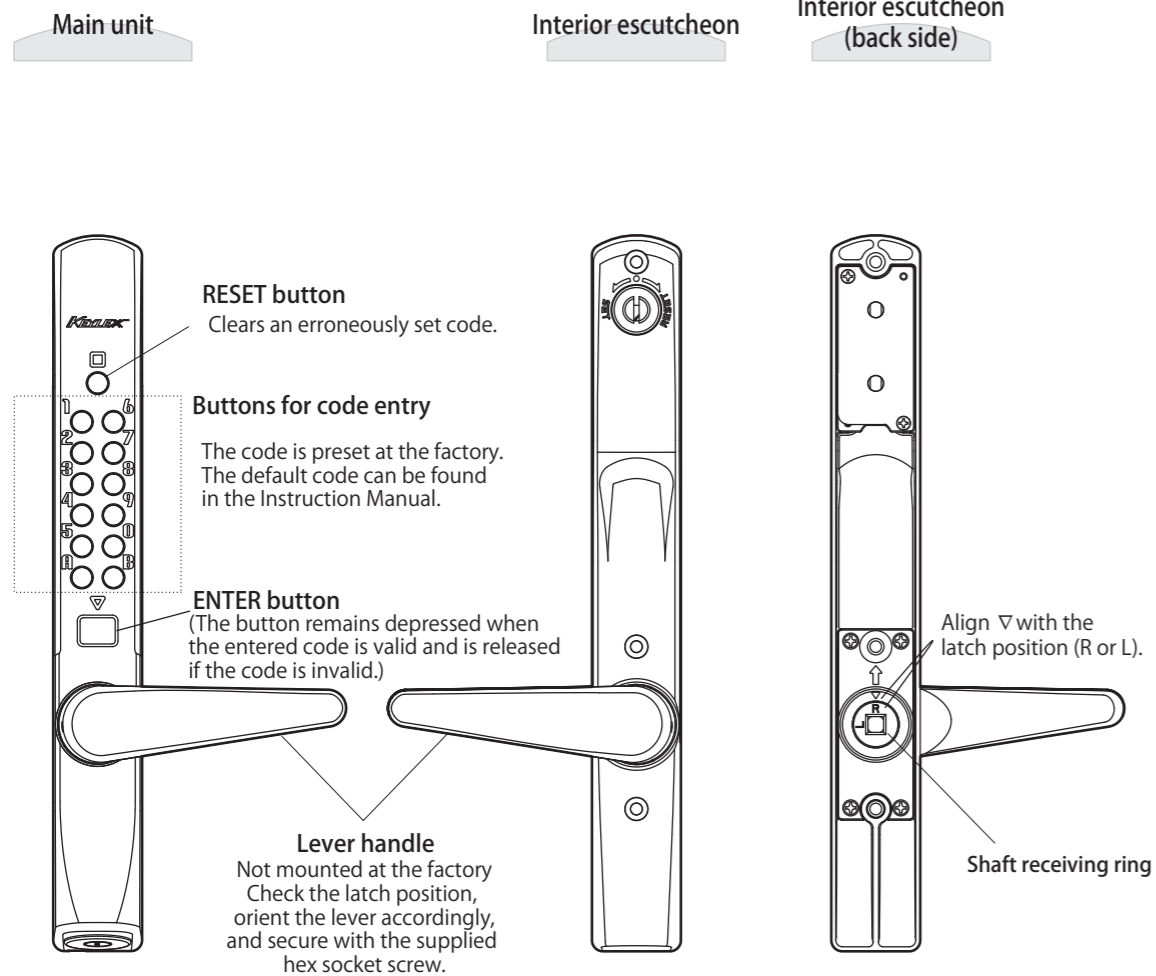
When transferring the ownership, provide the separate Instruction Manual (for Homeowner) to the homeowner.

Always use a manual screwdriver to tighten screws. Do not use an electric screwdriver.

Check the list/table of package contents and make sure the package contains all the parts.

Drawing													
Name	Main unit	Interior escutcheon	Cover	Main unit spacer	Lever handle	ADS lockset	Strike plate set	Main unit mounting screw 35 mm long	Lock/strike plate mounting screw 25 mm long	Hex socket screw 30 mm long	Hex key	Instruction Manual set	Key for code change
Quantity	1	1	1	1	2	1	1	3	4	2	1	1	2

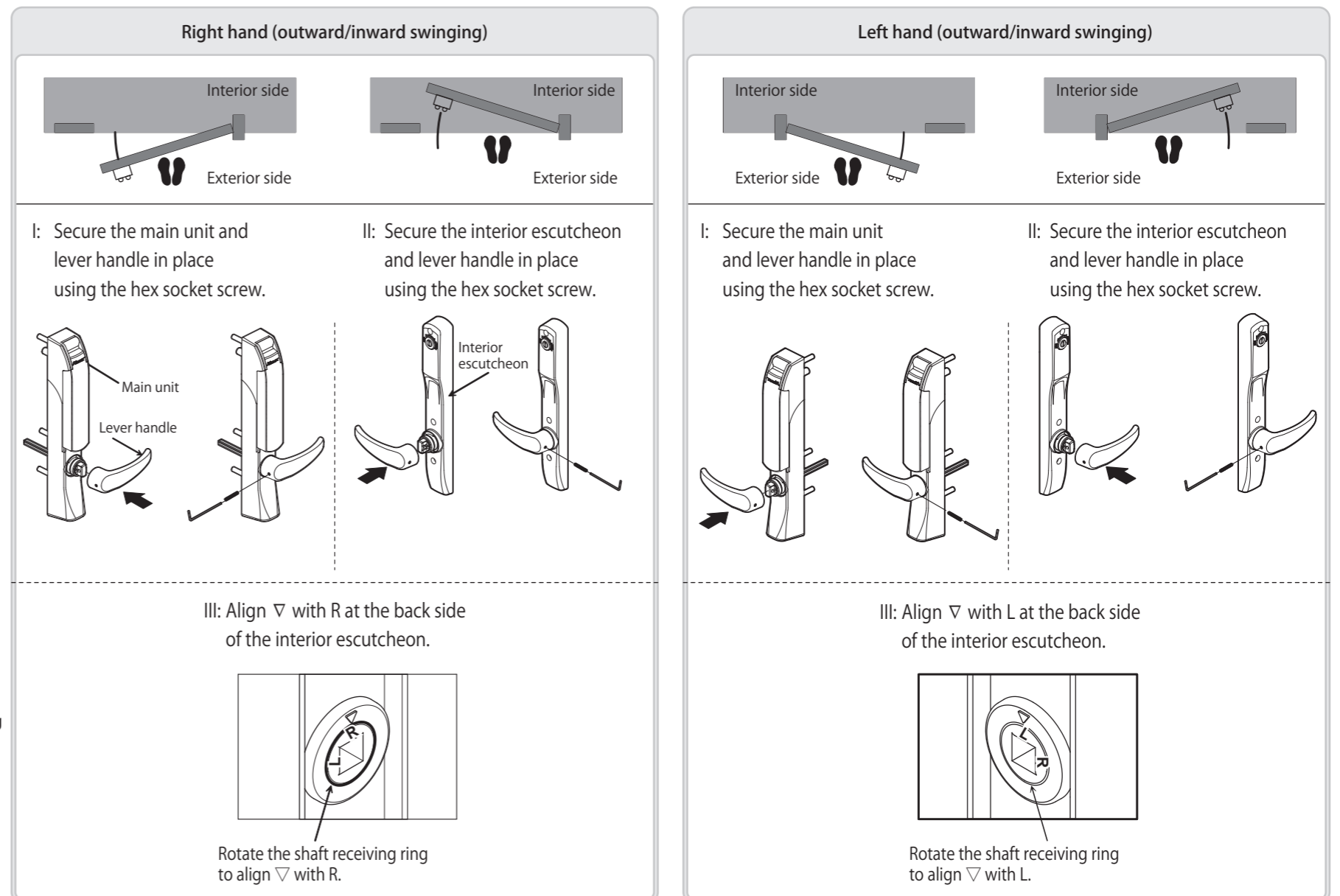
Names and functions of parts



Preparation for installation:

Mount the parts based on the door latch position. Check the latch position by viewing from the exterior side.

Do not close the door until you have confirmed that the lock functions properly. (Use a wedge or similar object to keep the door open.)

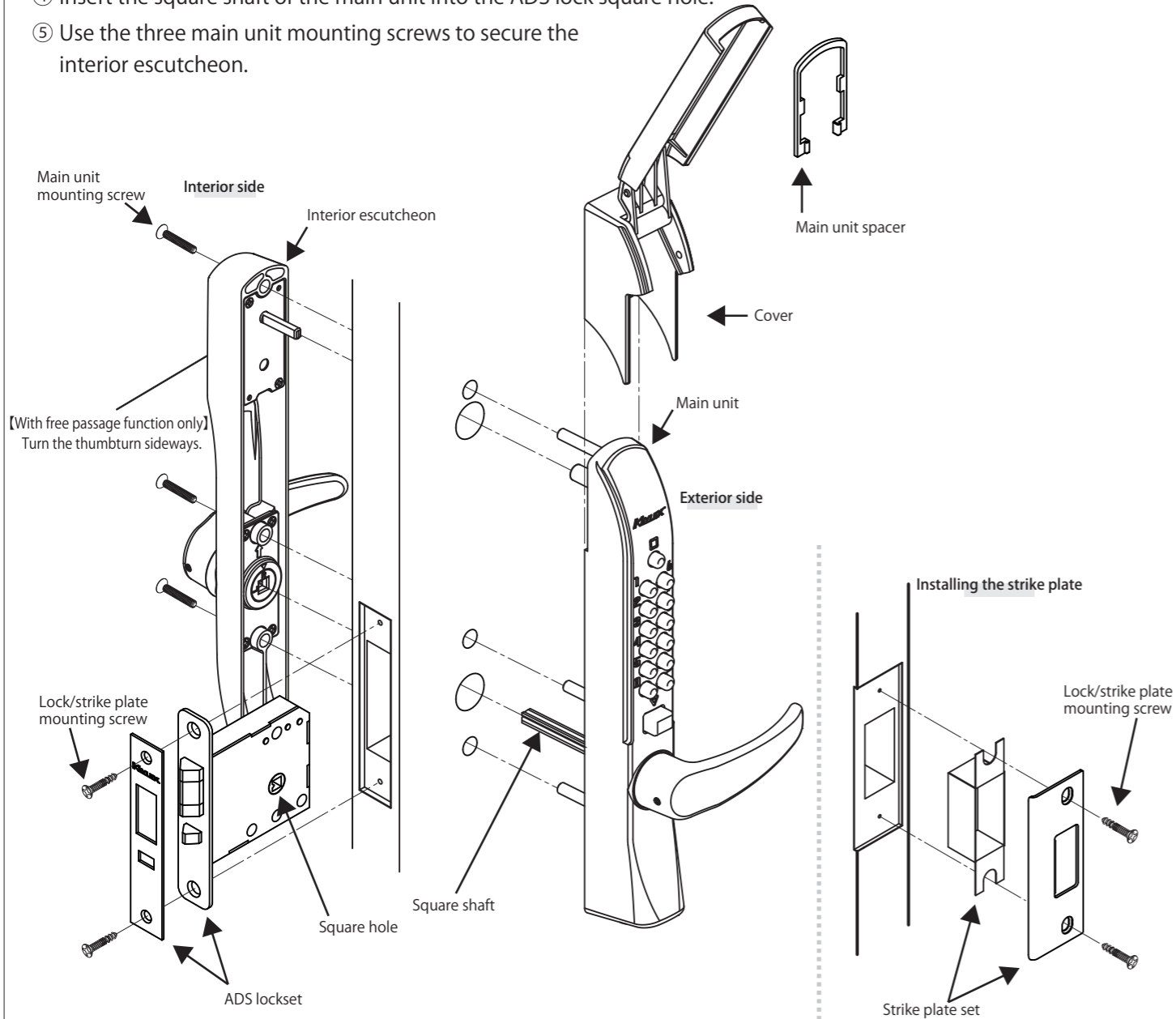


Drilling mounting holes in the door

Drill holes for installing the KEYLEX main unit. (See the template of the KEYLEX main unit on the attached sheet.)

Installing the KEYLEX 3100

- ① Secure the ADS lockset using the two lock/strike plate mounting screws.
- ② Secure the strike plate set using the two lock/strike plate mounting screws.
- ③ Mount the cover or main unit spacer as shown in the assembly drawing on the right page.
- ④ Insert the square shaft of the main unit into the ADS lock square hole.
- ⑤ Use the three main unit mounting screws to secure the interior escutcheon.



The illustration shows the product installed for a right-hand swing door. The position of the product is the mirror opposite for a left-hand swing door.



www.nagasawa-mfg.co.jp

Nagasawa Manufacturing Co., Ltd.

Tel: +81 3 5383 1811

E-mail: contact@nagasawa-mfg.co.jp

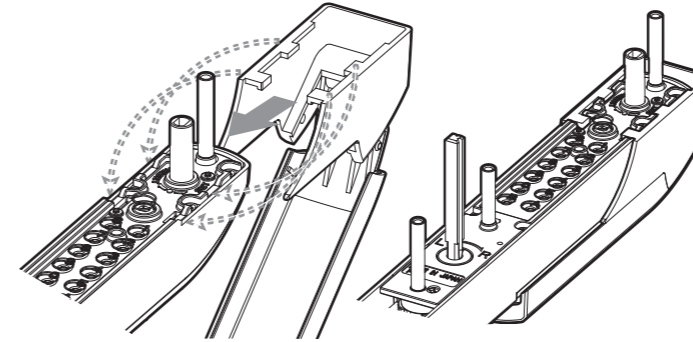
Web: www.nagasawa-mfg.co.jp

Function check: If the lever handle does not operate properly, check the handing setting (right or left) and alignment once again.

7264400

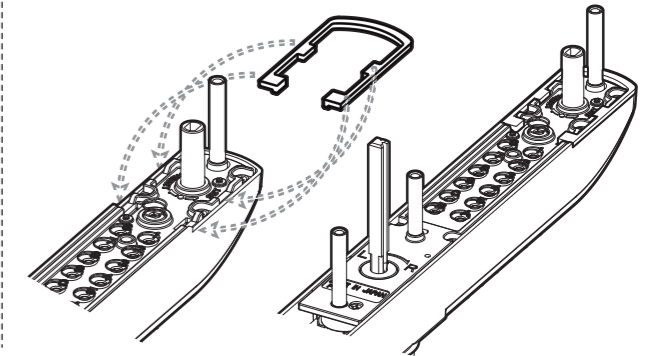
Installing the cover

Place the open cover on the main unit from above so that the projections on the back side of the cover engage in the recesses on the rear of the exterior-side main unit.



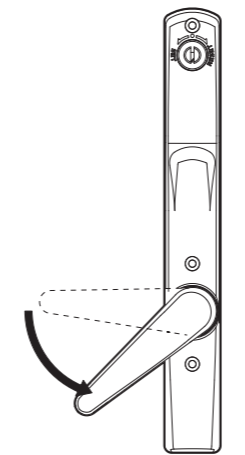
For use without the cover

Fit the main unit spacer into the recesses on the rear of the exterior-side main unit.



Unlocking the door

Interior side Push down on the lever handle, then the latch retracts.



Lock

The door locks automatically when closed.

Exterior side

- ① Press the RESET button.
- ② Enter the set code.
- ③ Press the ENTER button.
- ④ Push down on the lever handle, then the latch retracts.

* Do not move the lever handle while pressing the ENTER button downwards.

* The illustration shows the product installed for a right-hand swing door. (The position of the product is the mirror opposite for a left-hand swing door.)

Lock

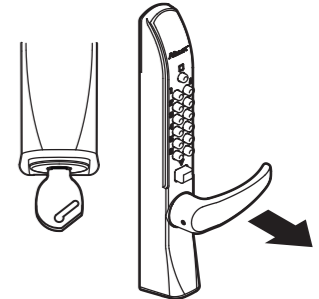
The door locks automatically when closed.

* The lever handle will swing free when moved with the door locked.

For type with key

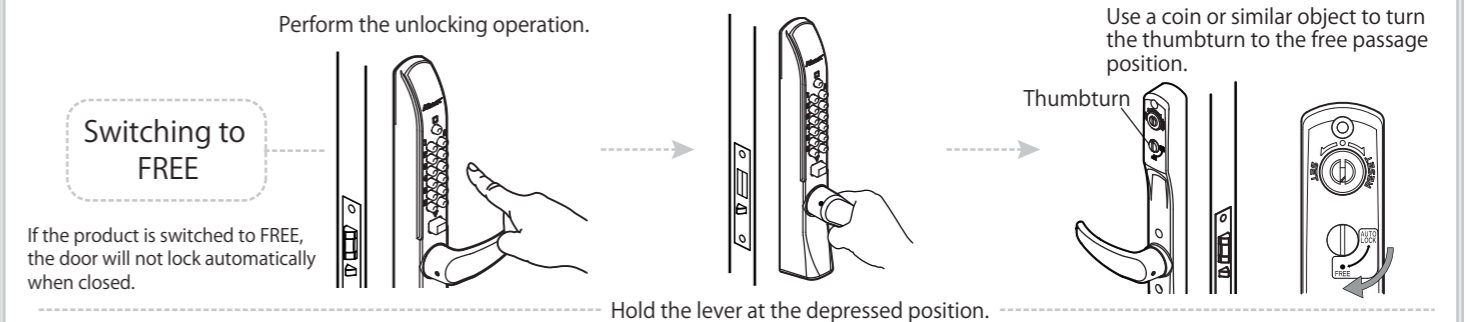
You can unlock the door without pressing the buttons for code entry, by using the key.

Insert the key into the cylinder at the bottom, turn it, and pull the lever to unlock the door.



Switching between FREE and AUTO LOCK

This feature is available with the optional free-passage type.



Switching to FREE

If the product is switched to FREE, the door will not lock automatically when closed.

Hold the lever at the depressed position.

Switching to AUTO LOCK

Use a coin or similar object to turn the thumbturn to the AUTO LOCK position.