

Installation Manual - Surface-Mounted Automatic Lock for Sliding Door -



Thank you for selecting a Nagasawa product.
Please read this manual to ensure correct installation of the product.
When transferring the ownership, provide the separate Instruction Manual (for Homeowner) to the homeowner.
Always use a manual screwdriver to tighten screws. Do not use an electric screwdriver.

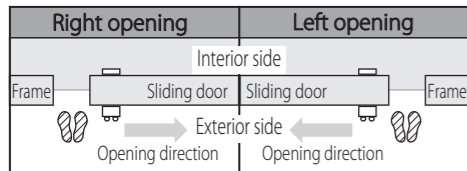
Items included *Check to confirm you have all parts before starting assembly.

A Main unit 1 * Note 1	B HAM lock and interior escutcheon set 1	C Cover 1	D Main unit spacer 1	E Plastic base 1 × 2.0 mm thick 1 × 3.5 mm thick 1 × 4.5 mm thick	F Main unit retaining screw Countersunk machine screw M5×50 2	G Surface-mounted strike plate 1	H Surface-mounted strike plate backing plate Double-sided tape 1 each	I Strike plate spacer 1 mm thick 2 3 mm thick 1	J Mortise attachment 1
K Machine screw M4×25 4	L Combination thread screw M4×25 Combination thread screw M4×40 4 of each	M Adjuster plate 1	N Adjuster spacer 1 mm thick 2 3 mm thick 1	O M4 hex nut M4 flat washer 4 of each	P Truss head tapping screw A1-M4×20 5	Q Instruction Manual 1	R Included in the same bag as Q * Note 2: Set/Reset sticker 1 Unlock direction sticker 1	S Installation Manual Template 1 each	T Key for code change 2

* Note 1: The main units comes in two types: [1] without key, [2] with key. * Note 2: Attach the Set/Reset sticker as needed.

1 Preparations for fitting (5) Do not close the sliding door until all operational checks are complete. (We recommend securing the sliding door with a wedge or other implement.)

1 Check the opening direction.
Refer to the following diagram to check the opening direction of the sliding door.

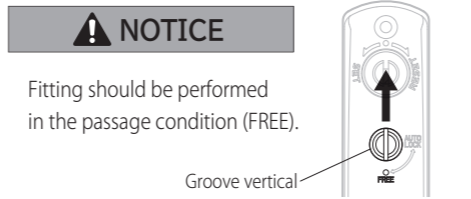


Door opens to the right, as viewed from side with main unit (side with buttons on it) **Right opening**
Door opens to the left, as viewed from side with main unit (side with buttons on it) **Left opening**

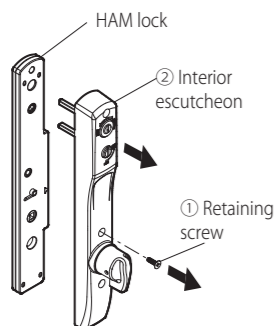
2 (For left opening) Modify the **B** HAM lock and interior escutcheon for the opening direction.

* Opening to the right is the factory default.

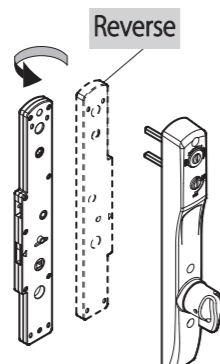
Perform the steps described below to modify to left opening.



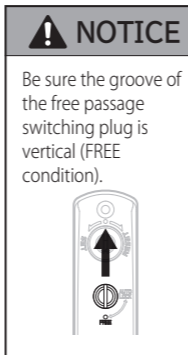
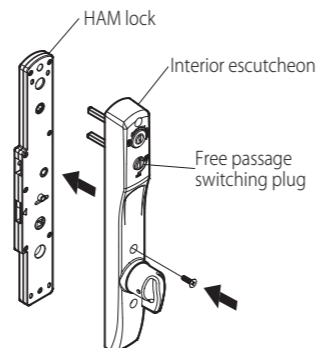
1 Remove the **1** retaining screw and **2** interior escutcheon from the HAM lock in that sequence.



2 Reverse the HAM lock.



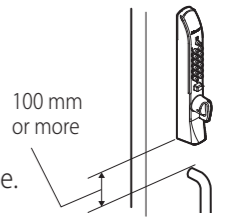
3 Place the interior escutcheon on the HAM lock. Secure with the retaining screw.



* Go to **3** for right opening.

3 Check the type of fit for the sliding door and frame against "4" Attaching the surface-mounted strike plate."

NOTICE (For main unit with key)
To allow space to turn the key, leave a space of at least 100 mm between the main unit and the handle.



2 Drilling holes in the sliding door for fitting

Drill holes to fit the **A** main unit and **G** surface-mounted strike plate (refer to the enclosed template).

3 Attaching the main unit *These diagrams are for right-opening installations. Reverse for left-opening installations.

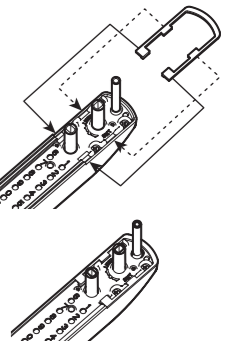
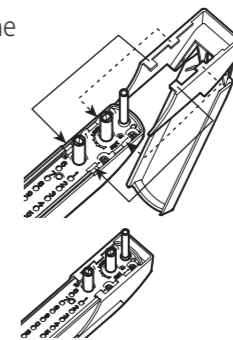
1 Attach the cover to the main unit.
(Attach the main unit spacer instead if the cover will not be used.)

1 **C** With the cover open, place over the main unit.

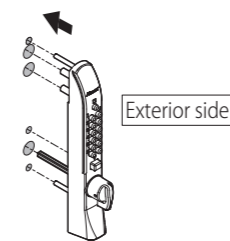
2 Match the protrusions on the rear of the cover with the recesses on the rear of the main unit.

If the cover will not be used
D Attach the main unit spacer by matching the protrusions of the spacer with the recesses on the rear of the main unit.

NOTICE
Fitting should be performed in the passage condition.

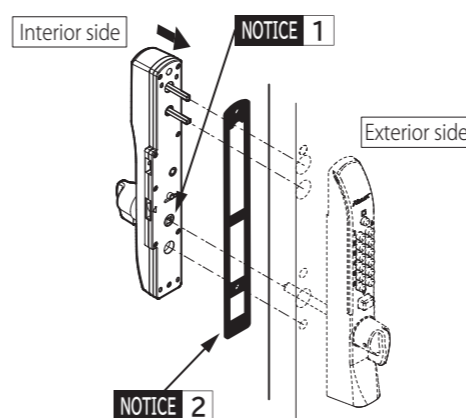


2 Place the main unit on the exterior side of the sliding door.

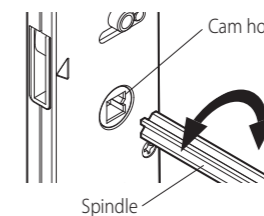


NOTICE
Remove the key when placing into position if the type has a key.

3 From the interior, put the HAM lock and interior escutcheon set in place.

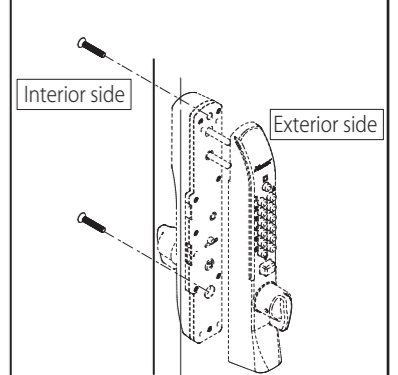


NOTICE 1 Turn the spindle to match the cam hole when placing into position.

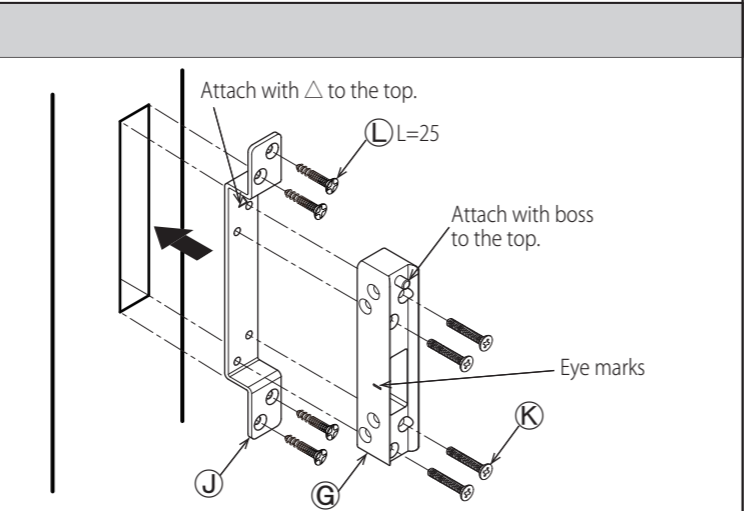
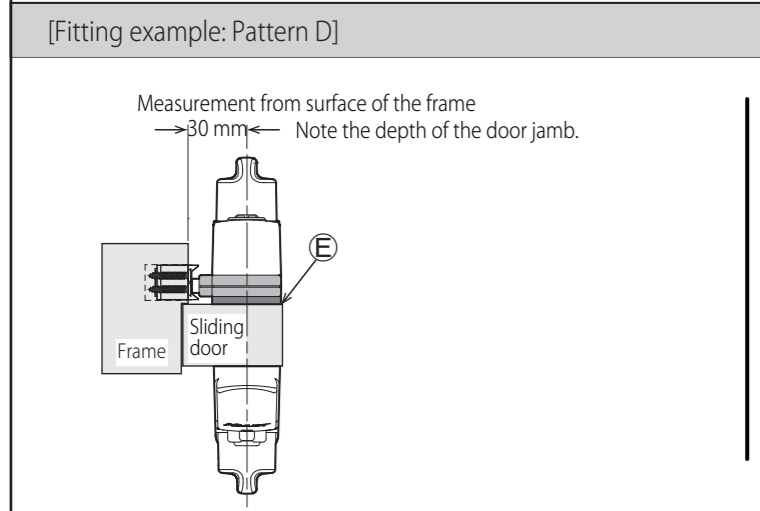
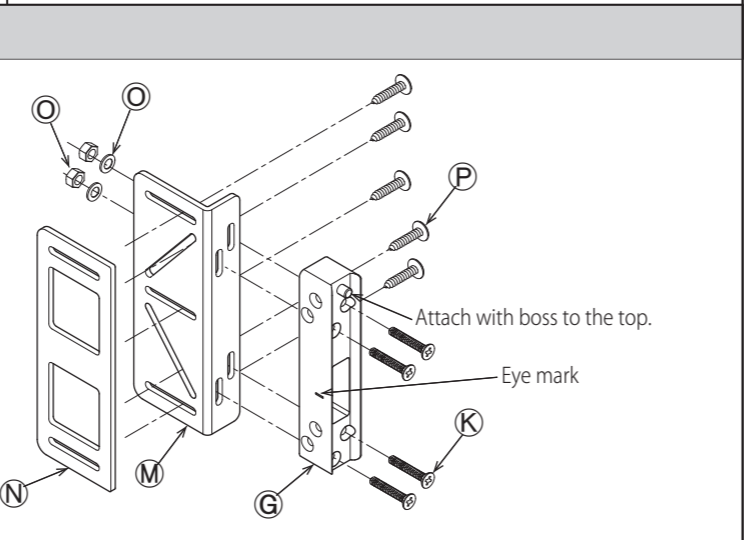
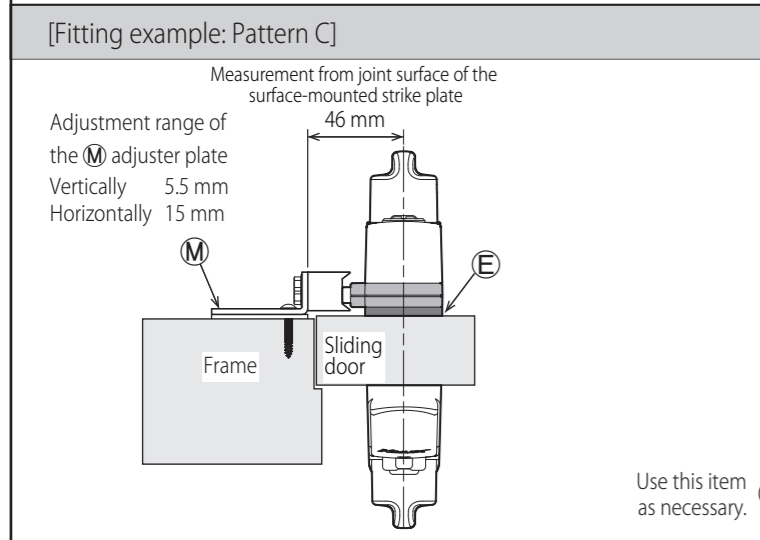
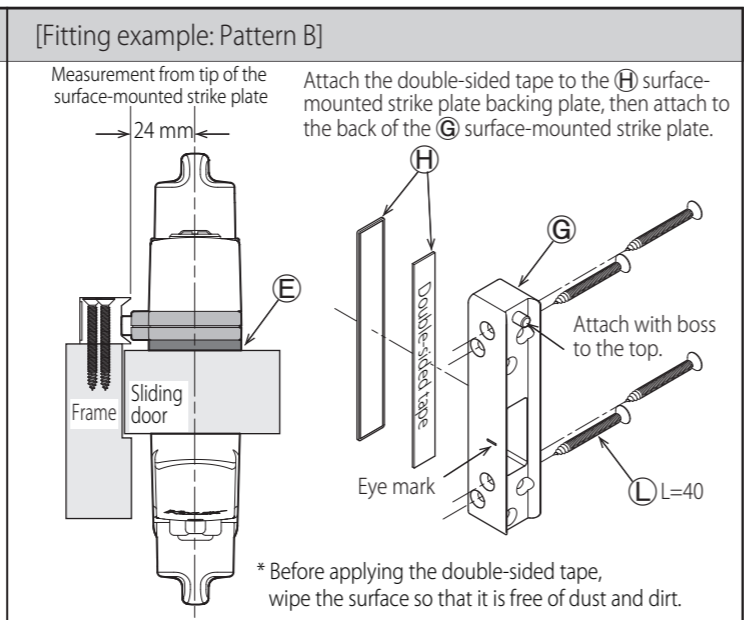
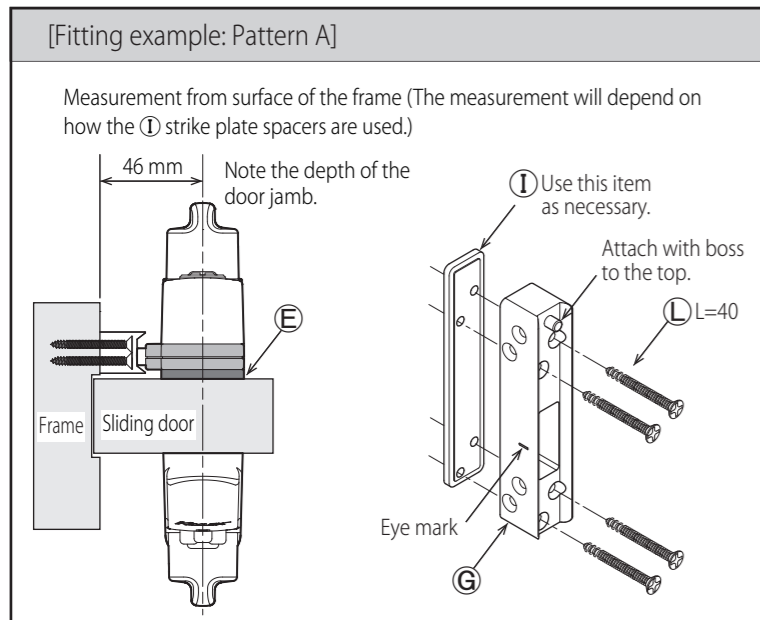
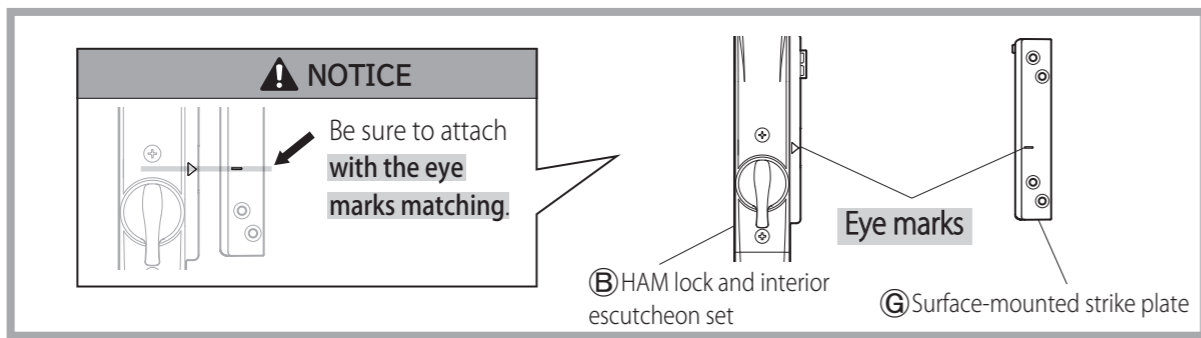


NOTICE 2
E The 4.5 mm plastic base must be used. Use the 2.0 mm and 3.5 mm plastic bases to adjust the height of the interior escutcheon.

4 **F** Secure with the two main unit retaining screws.



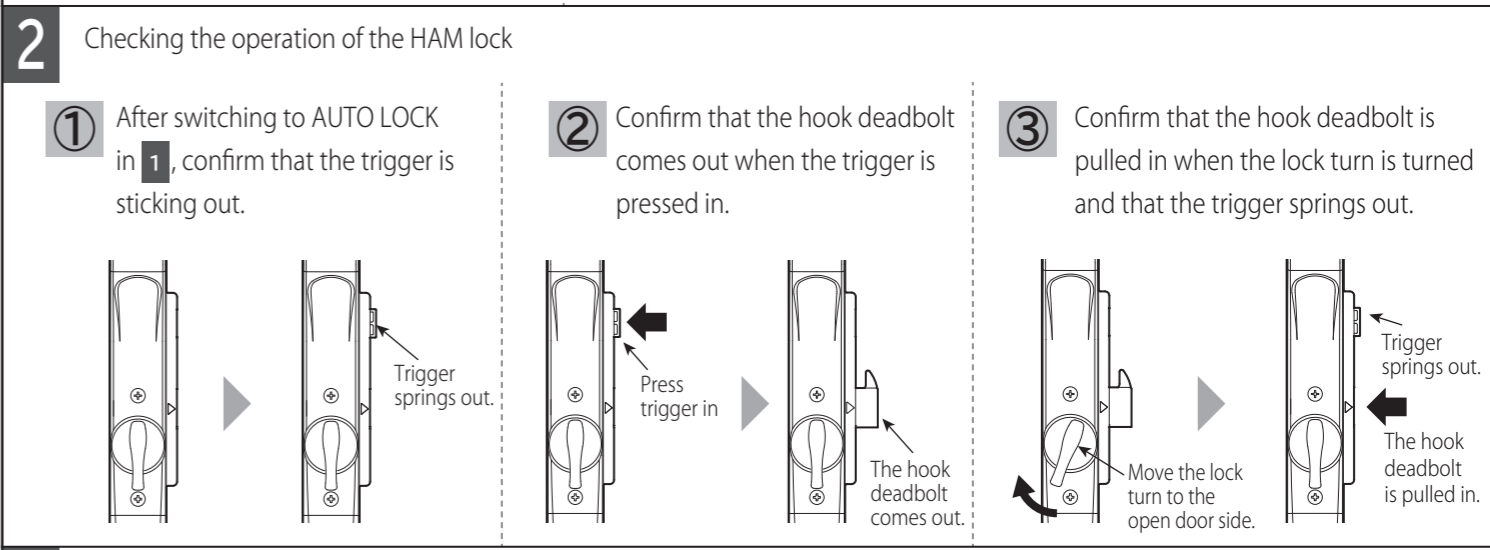
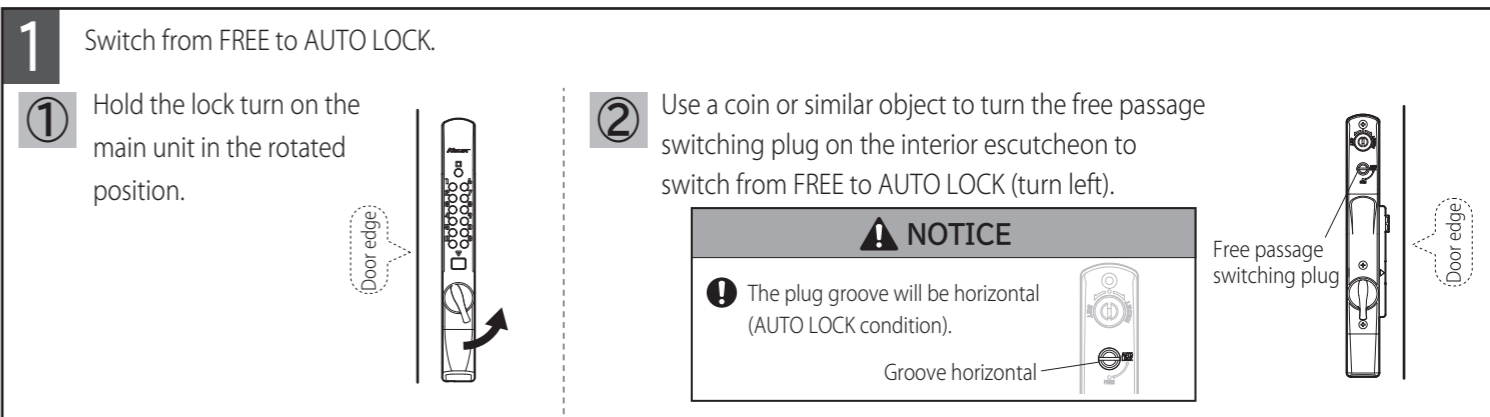
4 Attaching the surface-mounted strike plate Attach the **G** surface-mounted strike plate. Use accessories **H** to **P** to suit the type of fit.



5 Check operation Switch from "FREE" to "AUTO LOCK" to check the operation of the HAM lock.

NOTICE

- Be sure to check the operation with the sliding door open.
- If the unlocking procedure is not performed and the lock turn on the main unit is operated, it turns freely.



3 Confirm that the lock unlocks with the main unit code number. (Refer to "How to unlock the door" in the enclosed instruction manual.)

Make sure the **R** unlock direction sticker is attached to match the unlock direction.

Problems with fitting

Symptom	Possible causes	Adjustment methods
Gap between sliding door and frame	The HAM lock contacts the surface-mounted strike plate before the door is closed.	Adjust the fitting position of the Keylex further back on the door.
Will not lock even when sliding door is closed.	Even when the door is closed, the HAM lock does not contact the surface-mounted strike plate; thus, the trigger is not pressed in, and the hook deadbolt does not come out.	Method 1 Adjust the fitting position of the Keylex further forward on the door. Method 2 Raise with a I strike plate spacer
Will not switch properly to passage mode.	The parts on the rear of the main unit are facing in the wrong direction.	Correct the orientation of the part. Turn to the left or right to make the hole vertical. Turn to the right to make the hole horizontal.