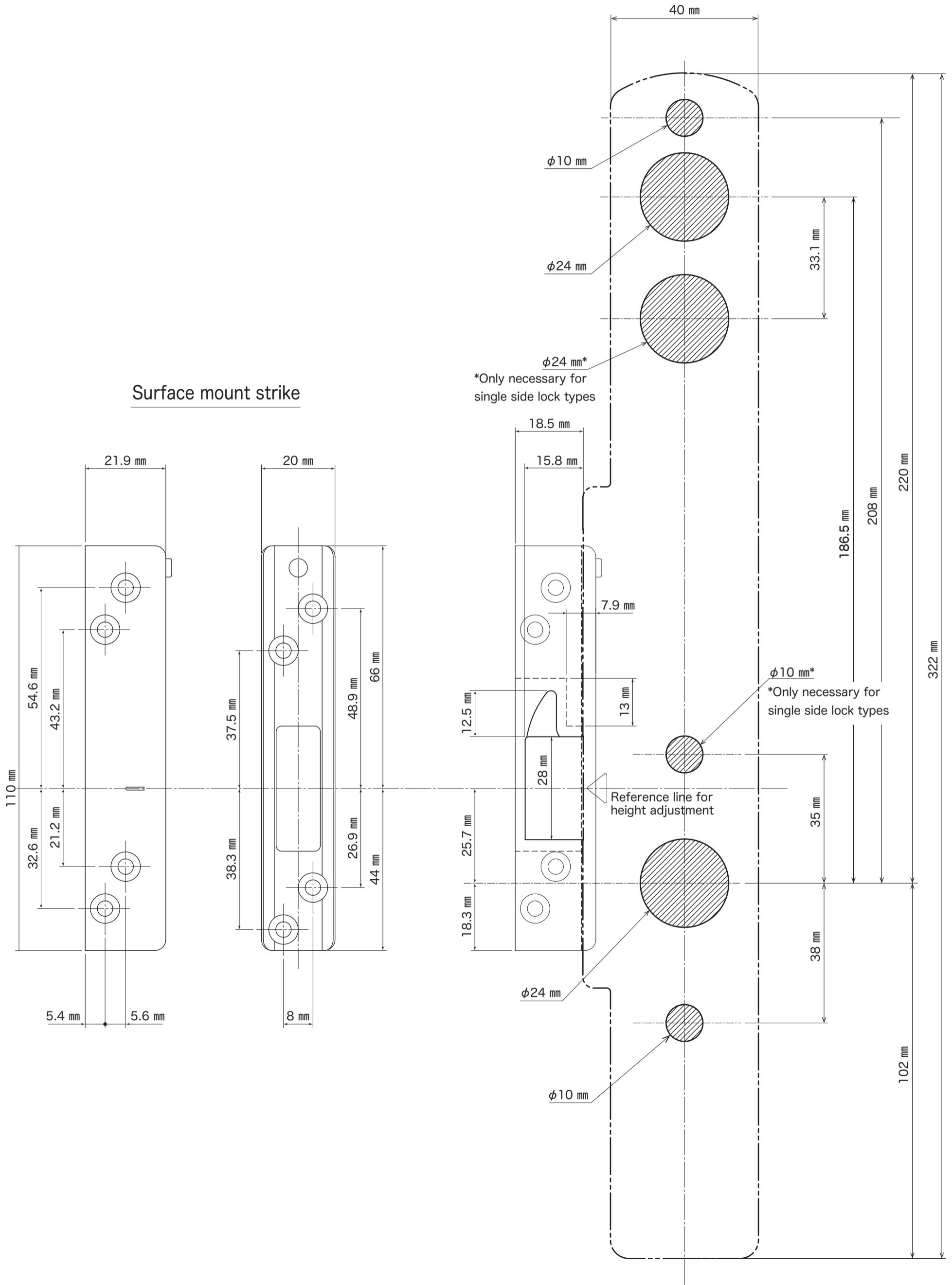
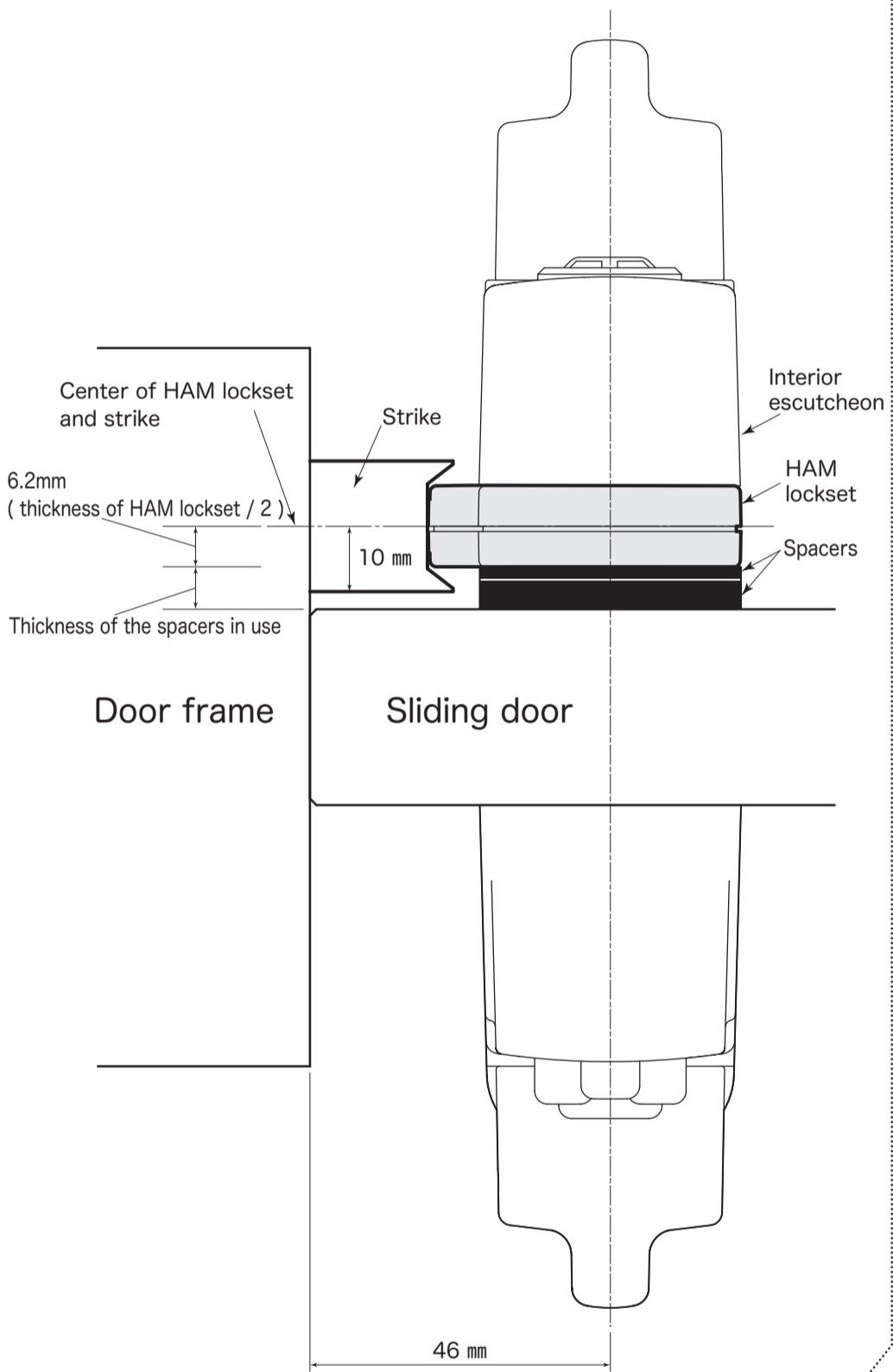


Surface Mount Autolock Template

Thank you for selecting a Nagasawa product.
 Please read this document to ensure correct installation of the product.



Top view
 Center of both the HAM lockset and the surface mount strike must be matched for installation



Surface mount strike + adjustment plate

