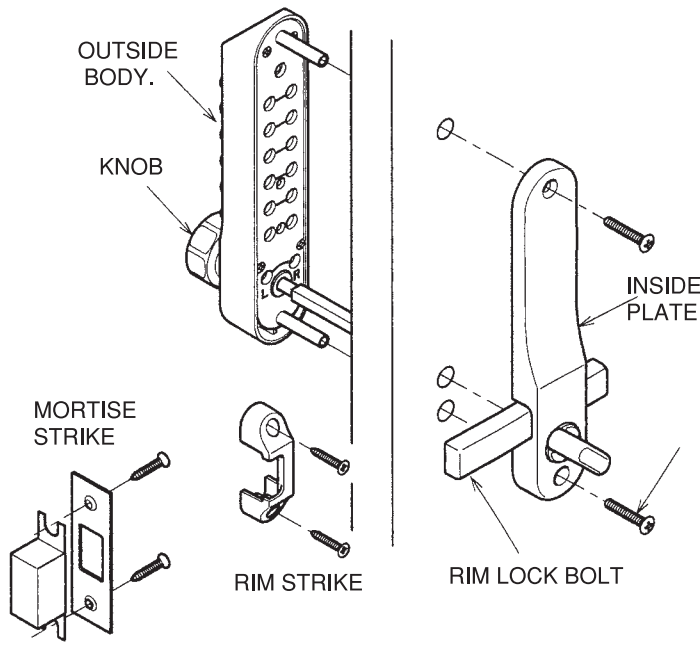


# KEYLEX 500 WITH RIM BOLT AND STRIKE.

## EXTERIOR

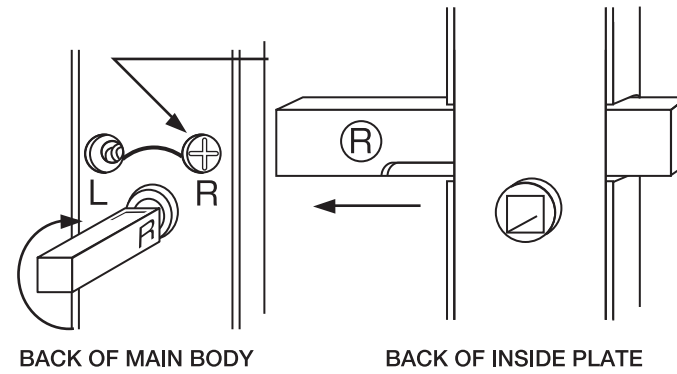
## INTERIOR



### HAND "R" (EXFACTORY PACKING)

CONFIRM HAND-SET SCREWS IN THE HAND "R" HOLE. HOLD THE KNOB STAY AT "R" POSITION, ROTATE SQ. SPINDLE MARKING "R" TO ADJACENT TO "R" SCREWS.

NOTE: HAND SET SCREW MUST BE FIXED TIGHTLY.

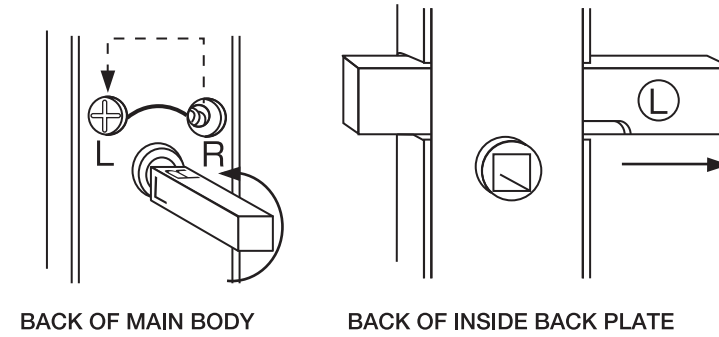


### CHANGE HAND TO "L"

AT THE SITE.

SHIFT HAND-SET SCREW TO HAND "L" HOLE FROM "R" HOLE BY SCREW DRIVER. HOLDING THE KNOB STAY AT HAND "L", ROTATE SQ. SPINDLE UNLOCKWISE AND ADJACENT TO MARK "L"

NOTE: SCREW HAND-SET SCREW TIGHTLY SO AS NOT TO LOOSE.



### HOW TO INSTALL:

- ① ENSURE DOOR HANDS PRIOR TO INSTALL THE LOCK. CONVERT HANDS ACCORDINGLY.
- ② PREPARE THE HOLE TO FIX THE LOCK ACCORDING TO THE TEMPLATE AND DRAWING.
- ③ INSTALL MAIN BODY AFTER NOTE DOWN THE CODE NUMBER AND FIX BY THE SCREW TIGHTLY.
- ④ KEEPING THE DOOR OPENING, ENTER CODE NO. TO CONFIRM RIM BOLT WORK SMOOTHLY FROM BOTH SIDE.
  - a. 1ST, USE INSIDE THUMBTURN TO LOCK
  - b. PUSH MEMORY CODE FOR TEST, FROM BUTTON "C" 1ST.
  - c. ROTATE THE KNOB TO UNLOCKING HANDS. CONFIRM RIM DEAD BOLT TRAVEL TO UNLOCK.
  - d. THEN, ROTATE THE KNOB TO 180° DEGREE TO LOCK ENSURING RIM BOLT TRAVEL INTO THE STRIKES.
- ⑤ USE DUST BOX FOR MORTISE STRIKES AND USE OFFSET PIECE TO ADJUST SAME HEIGHT BETWEEN DOOR AND DOOR JAMB SURFACE. (OFFSET PIECE: 2MM/MX2PCS& 4.5M/MX3PCS ATTACHED)

